

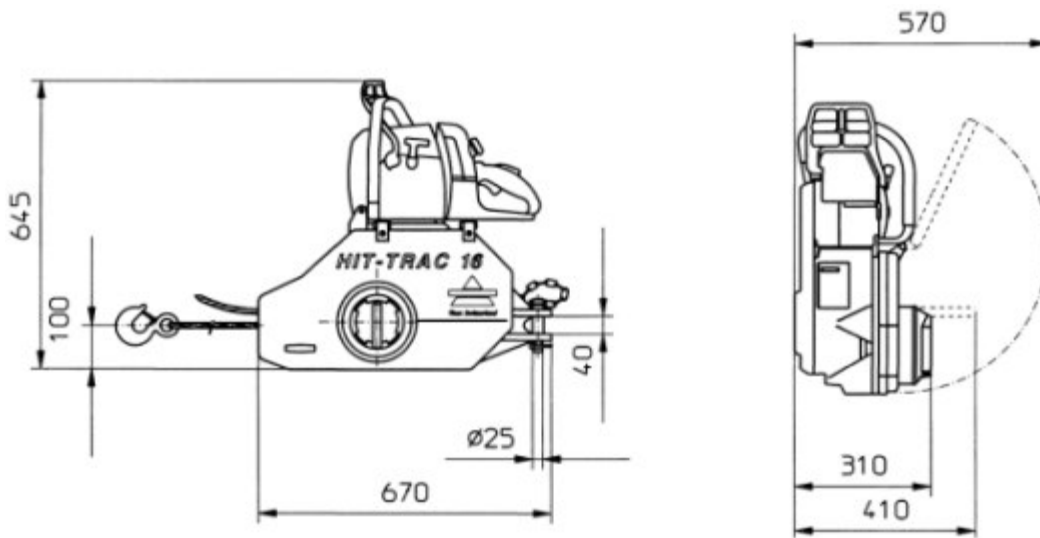
HABEGGER HIT-TRAC 16 B

High performance for heavier loads, with petrol engine. Loads can be lowered manually.



Technical data	HIT-TRAC 16 B
Rated force (pulling, lifting, lowering)	1600 kg
Overload protection by sliding clutch	at approx. 20 % overload
Rope speed	max. 10 m/min
Rope length	unlimited
Weight incl. engine	44 kg
Rope diameter	8,2 mm / 11,2 mm
Effective rope breaking load	50 kN / 80 kN
Drive motor 2-stroke engine	STIHL MS 660
Power	5,2 kW
HIT-TRAC 16 B without wire rope	Article no.
For rope diameter 8,2 mm	07016/8
For rope diameter 11,2 mm	07016/11

Only available with engine, since the engine is specially produced and converted for our HIT-TRAC 16 B.



Carrying handle Article no. 07668

Wire ropes on reel

Wire rope configured

with thimble, an eyelet load hook and locking bar on one end and a pointed end on the other.

Other lengths and configurations on request.

Diameter	8,2 mm	11,2 mm
Weight	0,25 kg/m	0,41 kg/m
Length in m	Article no.	Article no.
20	07298	07326
25	07299	07312
30	07303	07313
40	07304	07314
50	07305	07315
60	07306	07316
70	07307	07317
80	07308	07318
90	07309	07319
100	07310	07320

Important:

We recommend rope diameter 11,2 mm for lifting, pulling and lowering with safety factor 5.