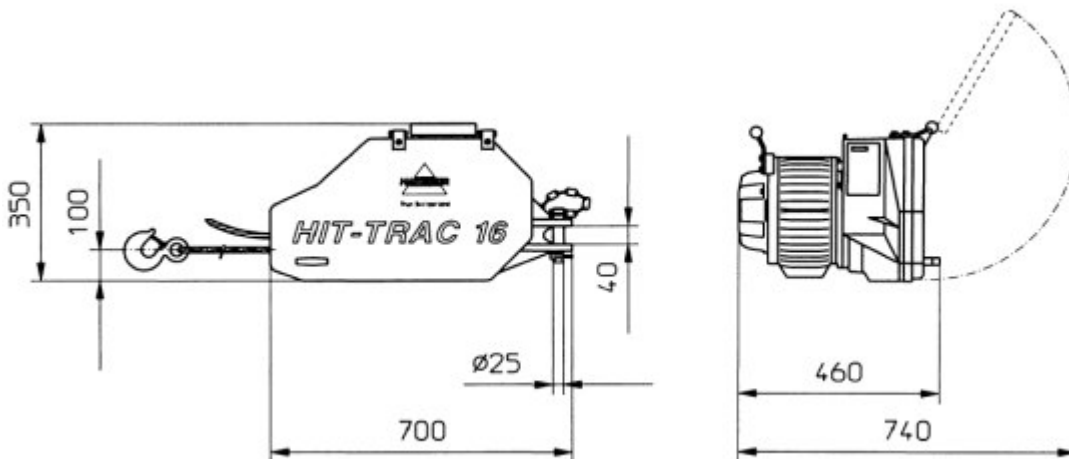


HABEGGER HIT-TRAC 16 E

The HIT-TRAC 16 E with electric motor lifts and lowers loads smoothly at the push of a button.



Technical data	HIT-TRAC 16 E
Rated force (pulling, lifting, lowering)	1600 kg
Overload protection by thermocouple	-
Rope speed	about 10 m/min
Rope length	unlimited
Weight incl. engine	58 kg
Rope diameter	8,2 mm / 11,2 mm
Effective rope breaking load	50 kN / 80 kN
3-phase AC Drive motor	400 V / 7,8 A
Power	3 kW
Intermittent duty	30 %
HIT-TRAC 16 E without wire rope	Article no.
For rope diameter 8,2 mm	07216/8
For rope diameter 11,2 mm	07216/11



HIT-TRAC 16 E with variable pulling speed only available in tubular frame	for rope Ø 8,2 mm	for rope Ø 11,2 mm
Speed	2 - 8 m/min	2 - 8 m/min
Weight	80 kg	80 kg
Article no.	07215/8	07215/11



Control box guard Article no. 07694

Wire ropes on reel

Wire rope configured

with thimble, an eyelet load hook and locking bar on one end and a pointed end on the other.

Other lengths and configurations on request.

Diameter	8,2 mm	11,2 mm
Weight	0,25 kg/m	0,41 kg/m
Length in m	Article no.	Article no.
20	07298	07326
25	07299	07312
30	07303	07313
40	07304	07314
50	07305	07315
60	07306	07316
70	07307	07317
80	07308	07318
90	07309	07319
100	07310	07320

Important:

We recommend rope diameter 11,2 mm for lifting, pulling and lowering with safety factor 5.