

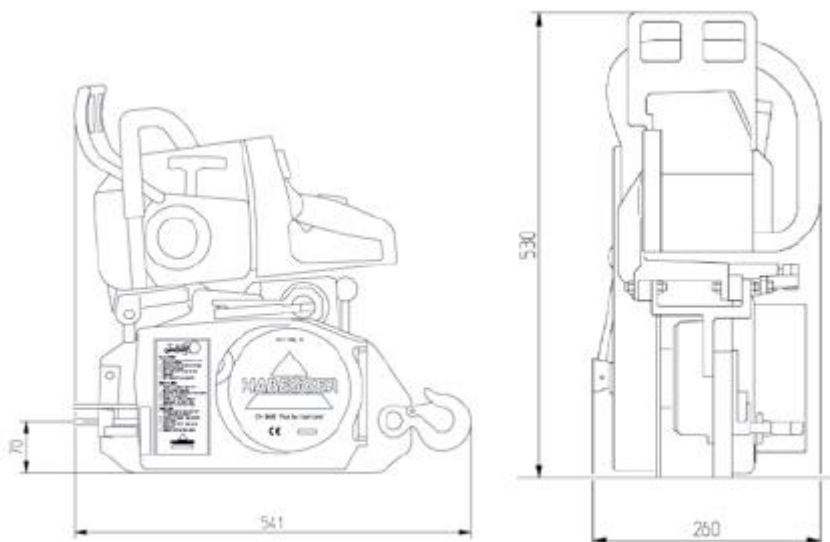
HABEGGER HIT-TRAC 8 B

A new and super light power-driven rope pulling machine for lifting, pulling and lowering with unlimited rope length.



Technical data	HIT-TRAC 8 B
Rated force (pulling, lifting, lowering)	800 kg
Overload protection by sliding clutch	at approx. 20 % overload
Rope speed	about 10 m/min
Rope length	unlimited
Weight incl. motor	30 kg
Rope diameter	8,2 mm
Effective rope breaking load	50 kN
Drive motor	STIHL 260
Power	2,6 kW
HIT-TRAC 8 B without wire rope	Article no.
For wire rope 8,2 mm	06313

Only available with engine, since the engine is specially produced and converted for our HIT-TRAC 8 B.



Wire ropes on reel

Diameter Weight	8,2 mm 0,25 kg/m
Length in m	Article no.
20	07298
25	07299
30	07303
40	07304
50	07305
60	07306

Wire rope configured

with thimble, an eyelet load hook and locking bar on one end and a pointed end on the other.
Other lengths and configurations on request.

Wire ropes without reel

Length in m	Article no.
10	07577
20	07579