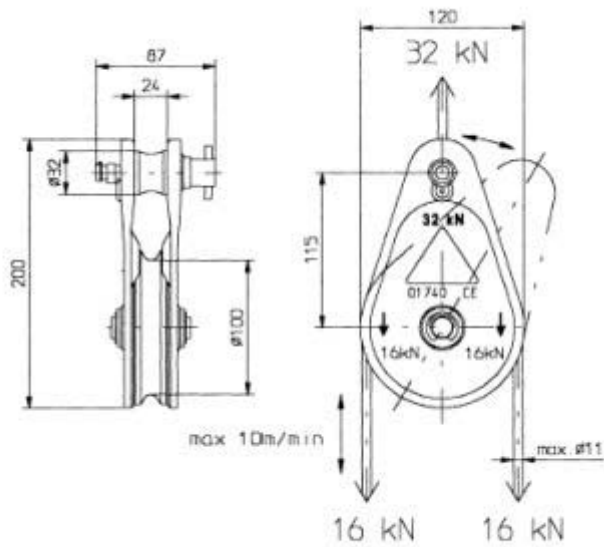


HABEGGER-Accessories: Rope pulleys aluminium/steel

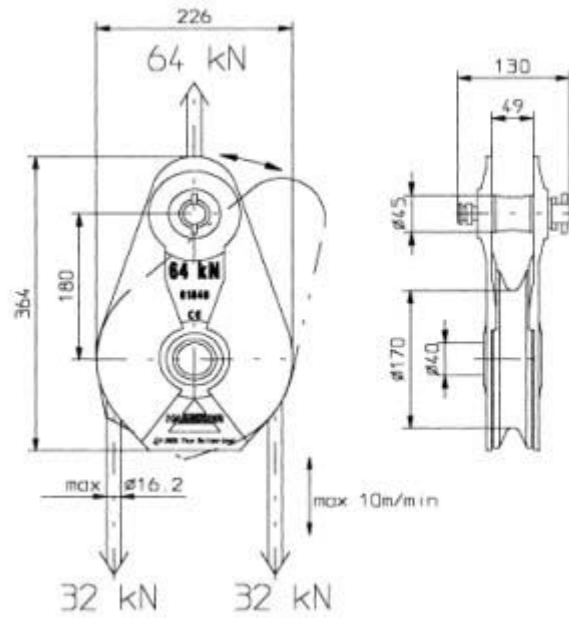
AI-A 32 kN



Load capacity	32 kN
Wire diameter max.	11 mm
Weight	1,2 kg
Side flange	Aluminium
Number of rollers	1
Plain bearings	
Plastic pulley	
Side flange can be rotated open	

Article no. 01740

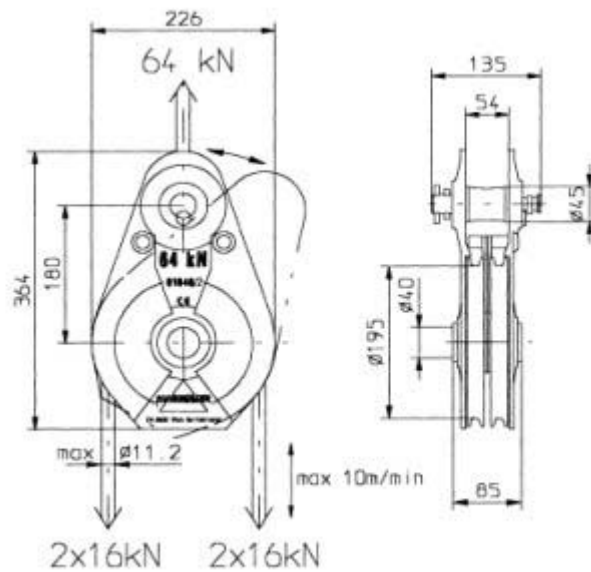
Al-A 64 kN 1-roller



Load capacity	64 kN
Wire diameter max.	16 mm
Weight with plain bearing	4,8 kg
Weight with ball bearing	5 kg
Side flange	Aluminium
Number of rollers	1
Plastic pulley	
Side flange can be rotated open	

Article no. for plain bearing:
01840
Article no. for ball bearing:
01840/K

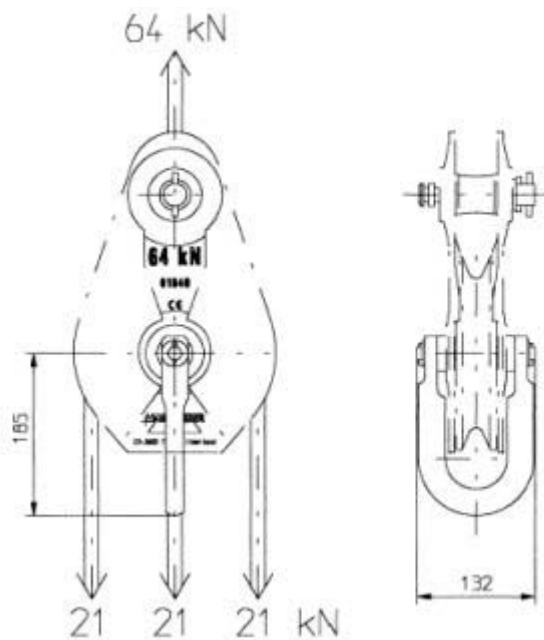
AI-A 64 kN 2-roller



Load capacity	64 kN
Wire diameter max.	11 mm
Weight	5,8 kg
Side flange	Aluminium
Number of rollers	2
Plastic pulley	
Side flange can be rotated open	

Article no. 01840/2

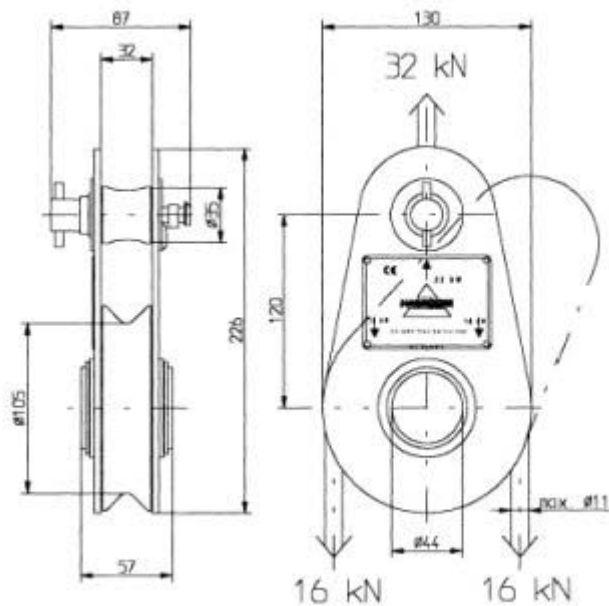
Anchorage



Anchorage bracket	Steel
Weight without rope pulley	2,2 kg
max. pulling force 64 kN in side-by-side arrangement	
can be used with all models in the AI-A 64 kN series	1

Article no. 01854

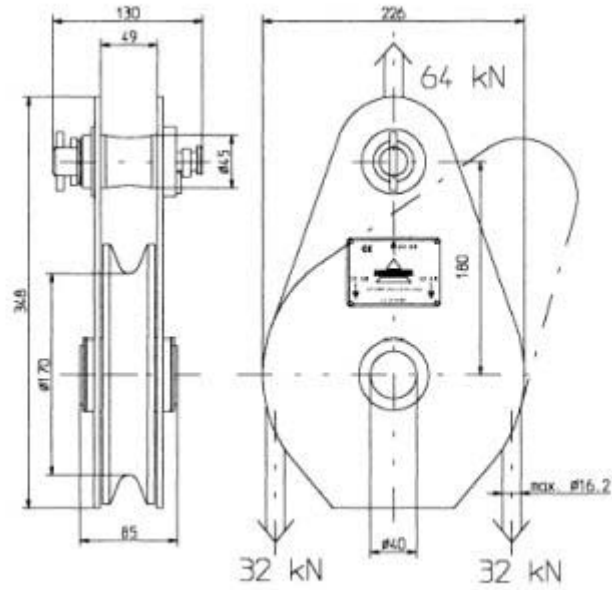
St-A 32 kN



Load capacity	32 kN
Wire diameter max.	11 mm
Weight	3,3 kg
Side flange	Steel
Number of rollers	1
Ball bearings	
Steel pulley	
Side flange can be rotated open	

Article no. 01871

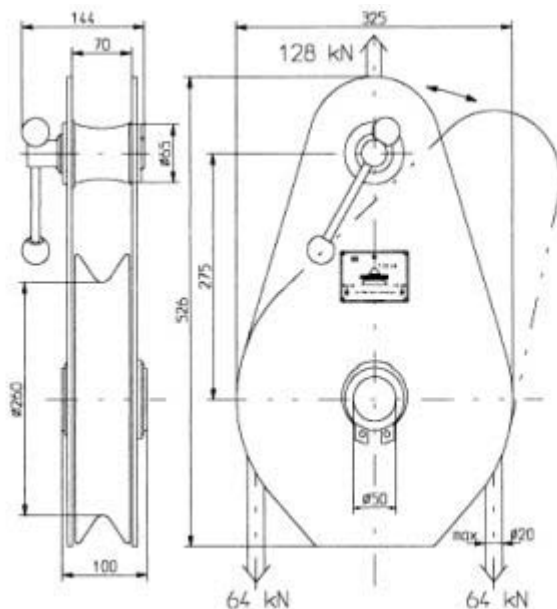
St-A 64 kN



Load capacity	64 kN
Wire diameter max.	16 mm
Weight	8 kg
Side flange	Steel
Number of rollers	1
Ball bearings	
Plastic pulley	
Side flange can be rotated open	

Article no. 01889

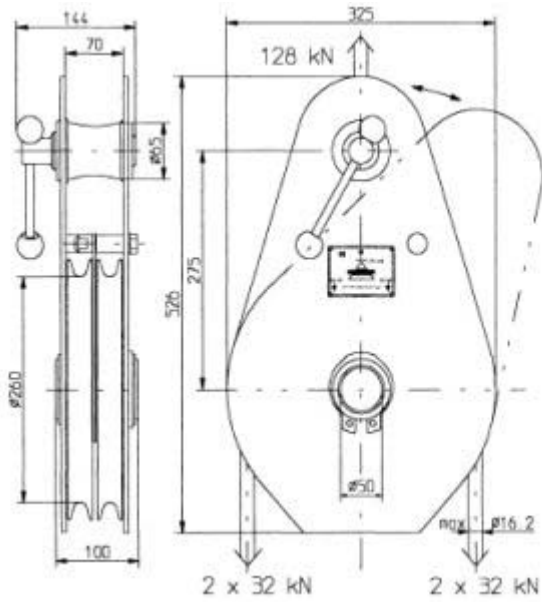
St-A 128 kN 1-roller



Load capacity	128 kN
Wire diameter max.	20 mm
Weight	20,5 kg
Side flange	Steel
Number of rollers	1
Ball bearings	
Plastic pulley	
Side flange can be rotated open	

Article no. 01909

St-A 128 kN 2-roller



Load capacity	128 kN
Wire diameter max.	16 mm
Weight	23 kg
Side flange	Steel
Number of rollers	2
Ball bearings	
Plastic pulley	
Side flange can be rotated open	

Article no. 01910